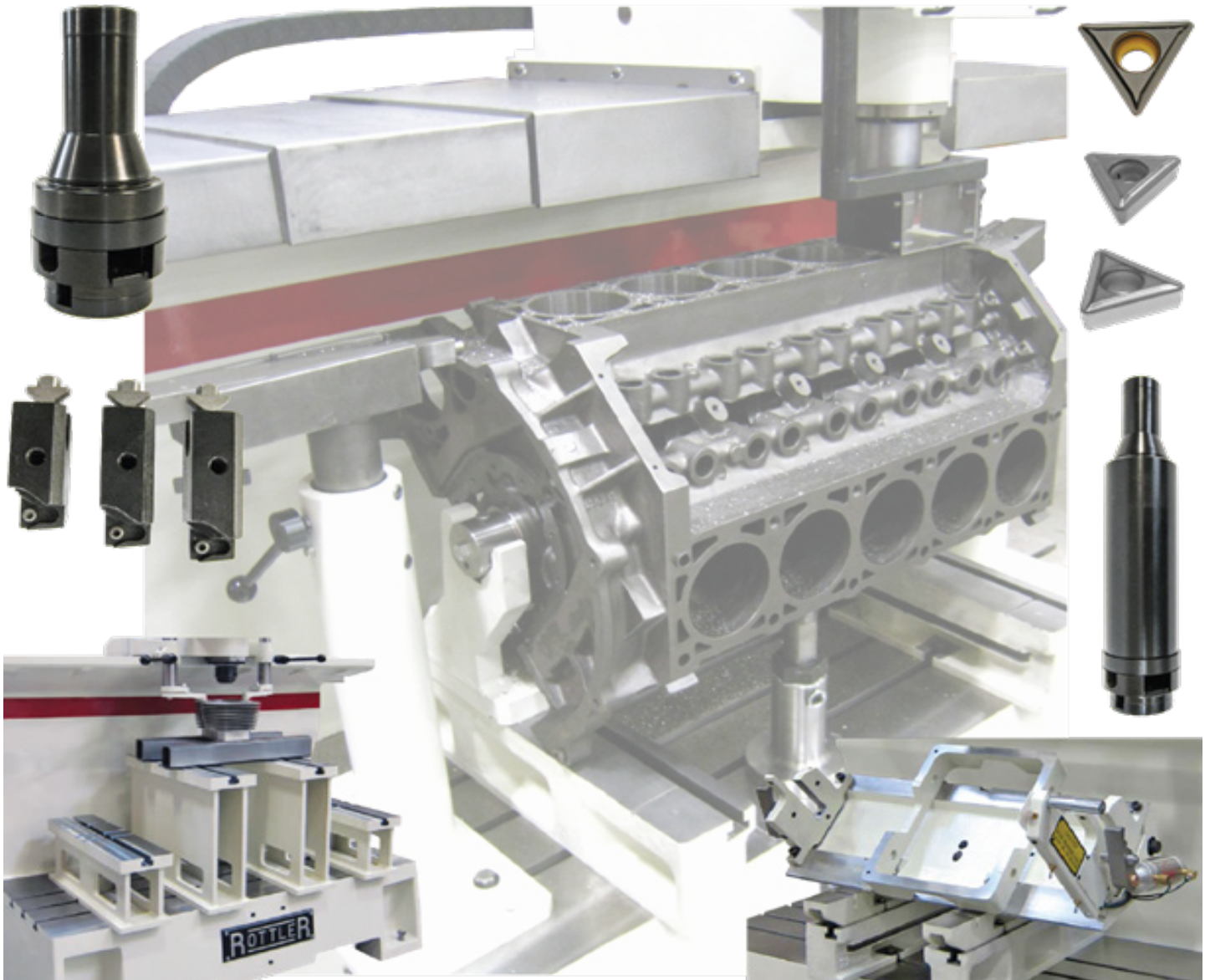


# ROTTLER

## F10X OPTIONAL EQUIPMENT CATALOG





### **ORDERING PROCEDURE**

Contact your regional Rottler sales rep for assistance in ordering optional equipment, replacement parts, or tooling.

If you are unable to contact your regional Rottler sales rep, call the factory at 253-872-7050 and ask to speak to the parts sales specialists.

Have the following information handy to expedite the ordering process:

1. Your name, business name, and contact number
2. Customer number
3. If you don't have a customer number, your billing address
4. Shipping address if different from billing address
5. Machine model and serial number
6. Part number and description of what you want to order
7. Preferred method of shipment

You may also contact us via e-mail with the above information. Send e-mail requests to:  
[parts@rottlermfg.com](mailto:parts@rottlermfg.com)

In some cases you may be requested to send a photo of the part you are ordering if it is a replacement part, or doesn't appear in the database.

If you are unsure which part you need to order, contact our service department and ask to speak to one of our service consultants. They will assist you in determining which part you require.

**THERE IS A MINIMUM ORDER OF \$25.00**



# F10X OPTIONAL EQUIPMENT CATALOG

## Contents

**Fixed Angle Fixtures ..... 1**

504-37-10 Production V Block Fixture ..... 1

502-3-48Q In-line Block Frame ..... 2

502-3-49 VW 15-degree V Block Fixture ..... 3

502-3-52 Cadillac Catera 54-degree V Block Fixture ..... 4

**Adjustable Angle Fixtures ..... 5**

7243 Mid-size Diesel Block Fixture ..... 5

**Parallels ..... 6**

11112 Universal 8” (203mm) Heavy Duty T-Slot Parallels with Air Float ..... 6

11114 Universal 16” (405mm) Heavy Duty T-Slot Parallels with Air Float ..... 7

11115 2” (50mm) X 3” (75mm) Parallels ..... 8

**Miscellaneous Options ..... 8**

7152A Dual Axis Level Assembly ..... 8

**Boring and Sleeving Cutterhead Packages ..... 9**

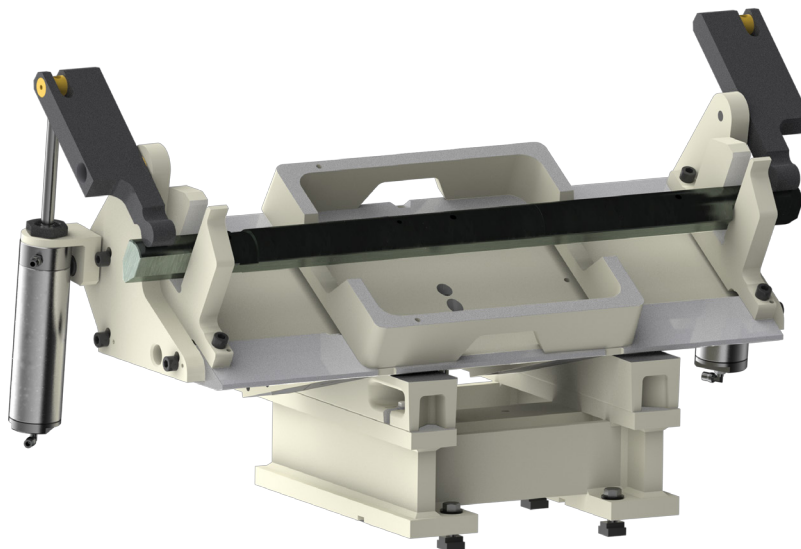
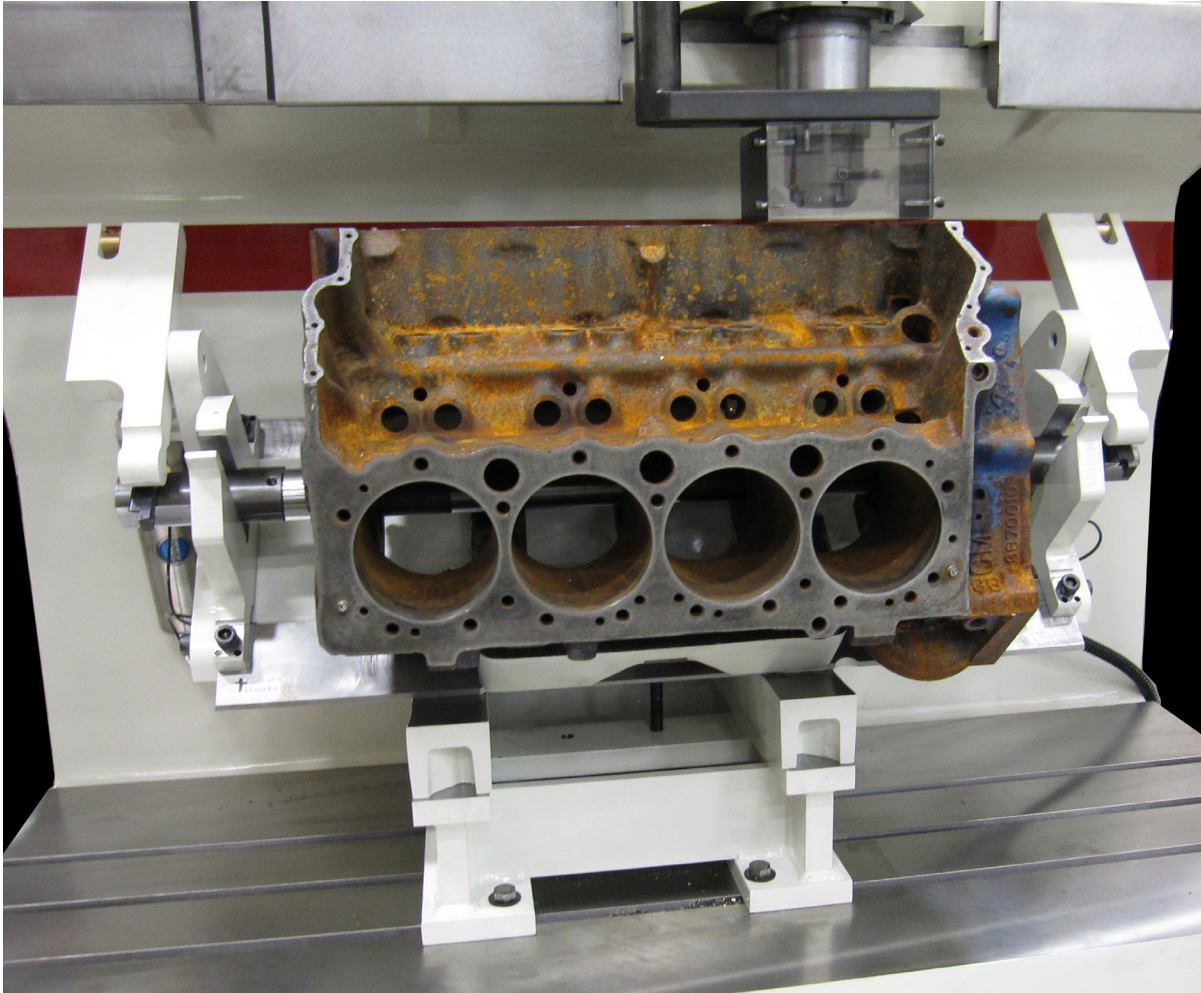
504-35-12A Production Cutter Head Package ..... 9

600-8-4L Production Cutterhead Package ..... 10

502-13M Production Stub Cutterhead Package ..... 11

**Fixed Angle Fixtures****504-37-10 Production V Block Fixture**

For fixturing 60 and 90 degree blocks (Includes integral pneumatic clamping system and required parallels)



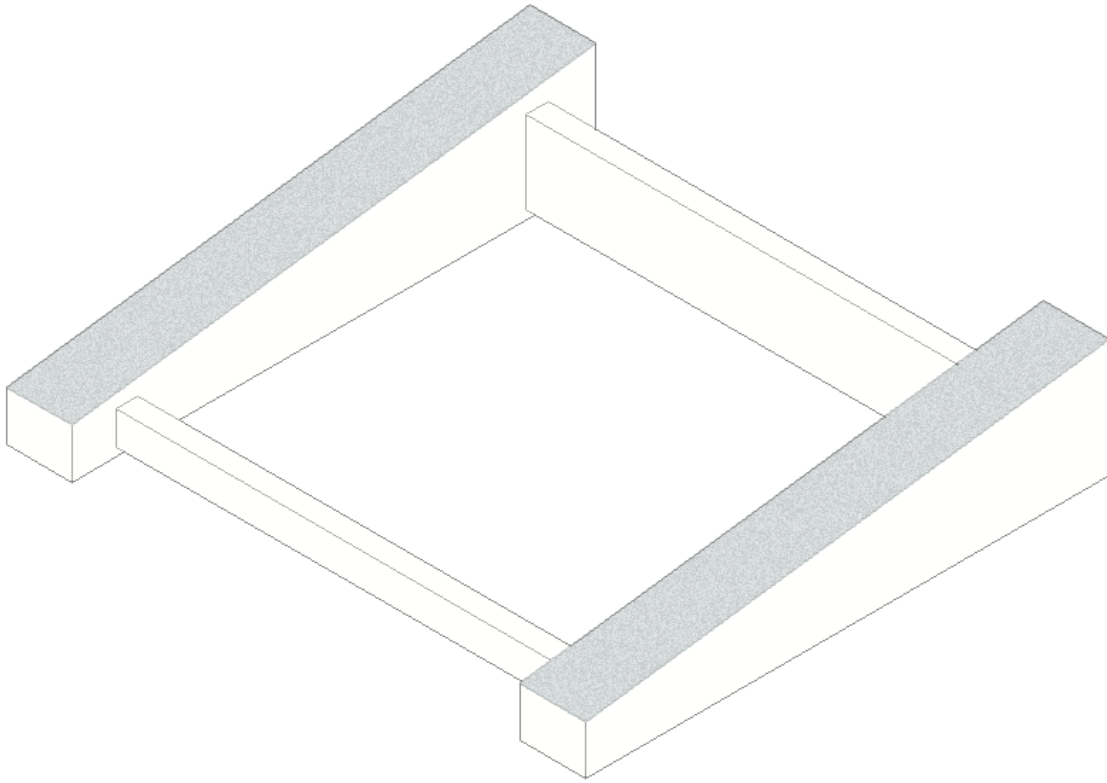
**502-3-48Q In-line Block Frame**

For V Block Fixture (requires 502-1-72F fixture for FA series or 504-37-10 fixture for FX series)



**502-3-49 VW 15-degree V Block Fixture**

Also for Ford Mazda & Isuzu 75-degree (requires 502-1-72F fixture for FA series or 504-37-10 fixture for FX series)





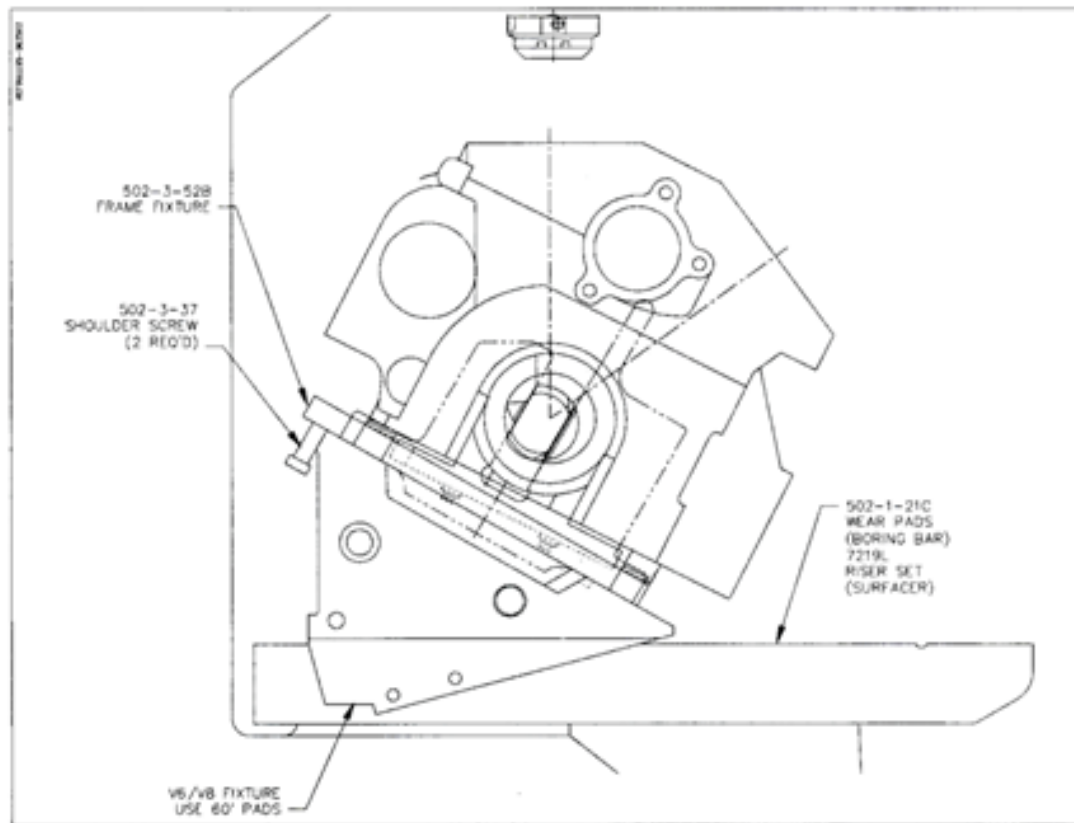
### 502-3-52 Cadillac Catera 54-degree V Block Fixture

(requires 502-1-72F fixture for FA series or 504-37-10 fixture for FX series)

## 502-3-52 Cadillac Catera 54 Deg. V6 fixture

This fixture is designed to be used with a customer's V8/V6 block fixture on either an SF series surfacer or an F series boring machine. Clamping the block will be the same as clamping other v-blocks in the V8/V6 fixture. The fixture, with (2) 502-3-37 shoulder screws installed, hangs over the top edge of the V8/V6 fixture. The V8/V6 fixture is positioned using

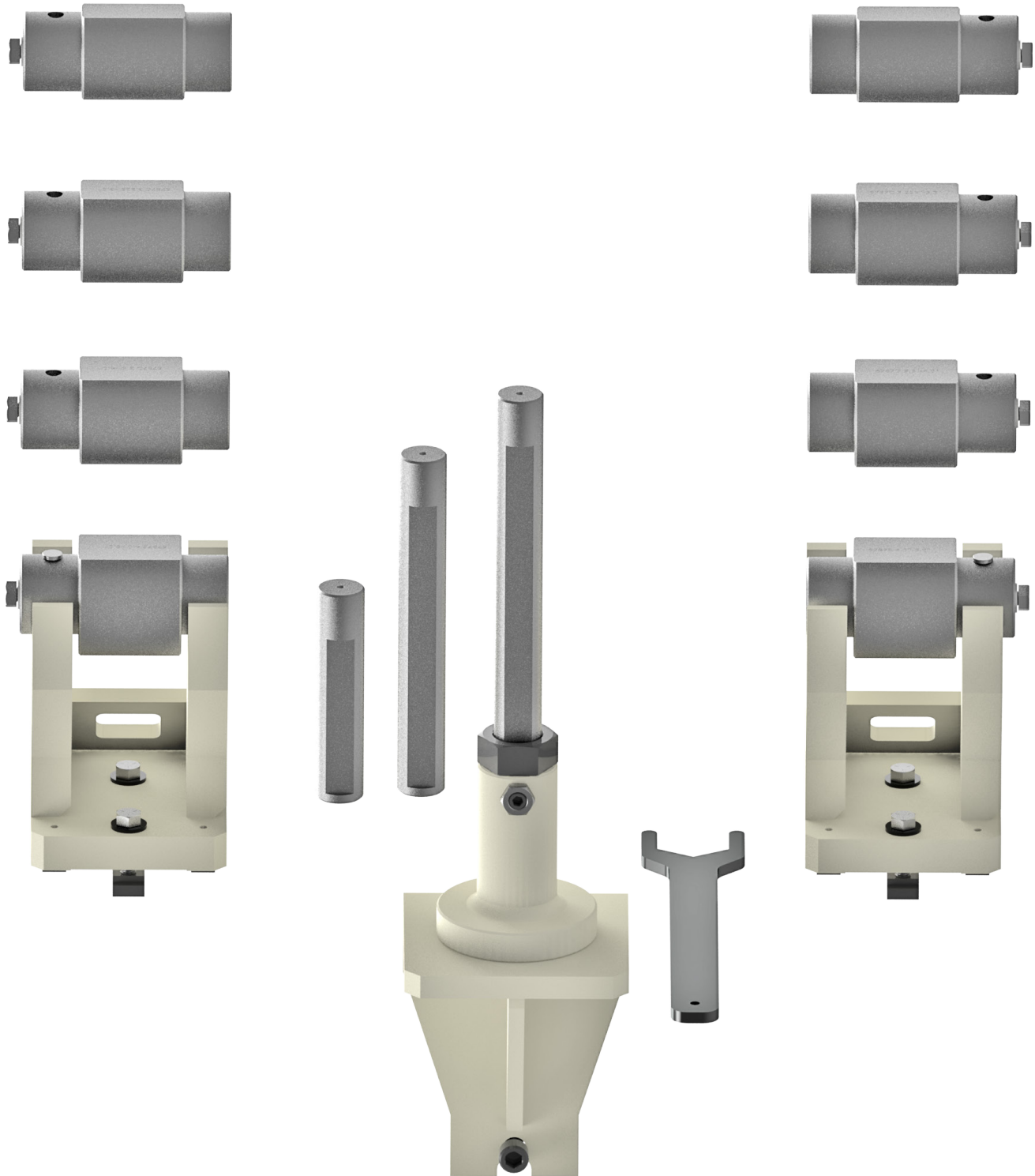
the 60 deg. pads on either 502-1-21C wear pads (F-series boring bar) or 7219L riser set (SF series surfacer). This block incorporates a main bearing cap support frame which ties the caps together. When loading the block, the pan rails rest on the milled surfaces of the fixture with the cap support frame hanging inside the rails of the fixture..



### Adjustable Angle Fixtures

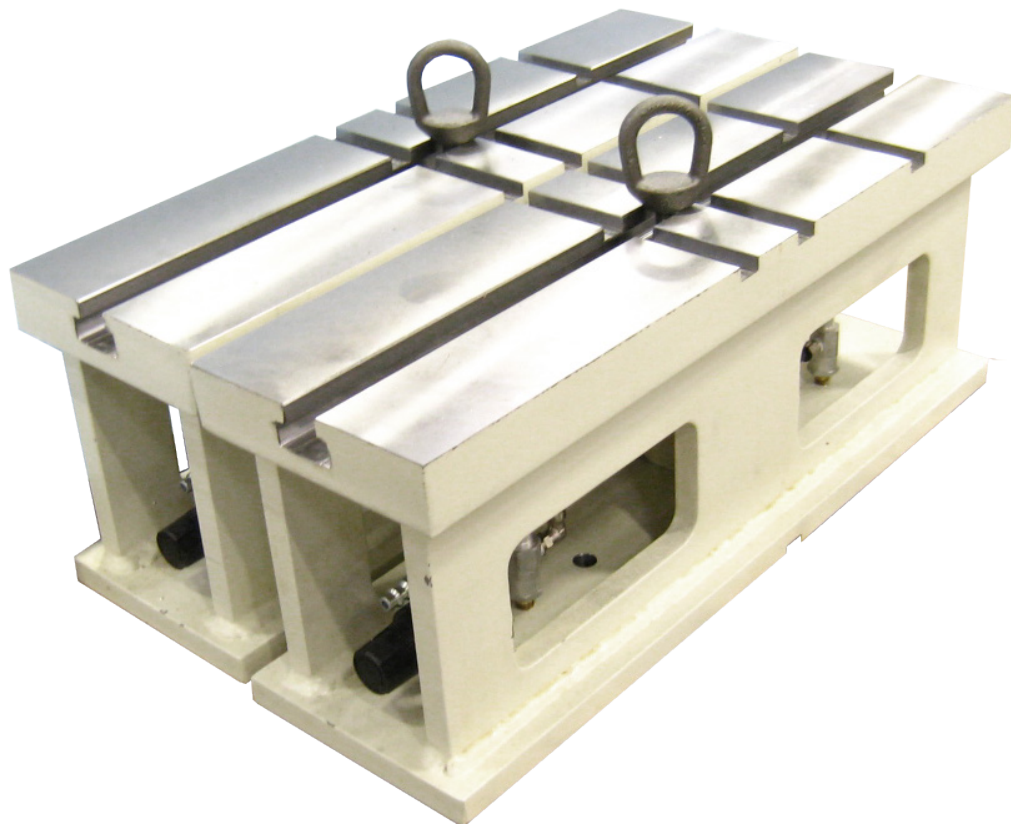
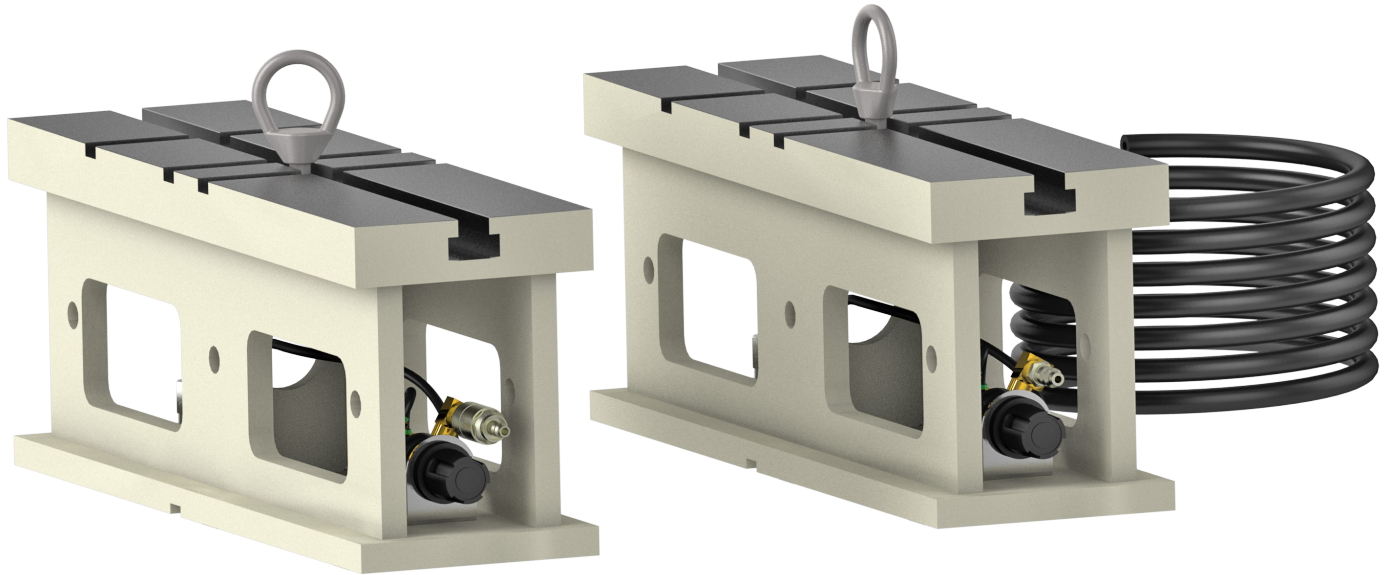
#### 7243 Mid-size Diesel Block Fixture

Includes (4) pair main bearing locators to cover 3 - 5" (76.2 - 127mm) main line diameter range.

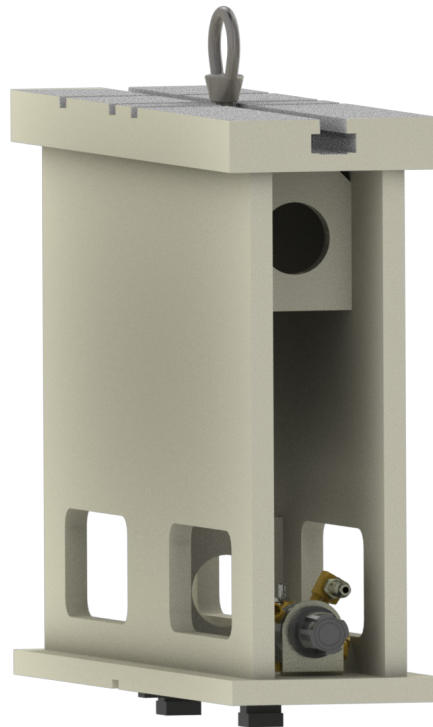
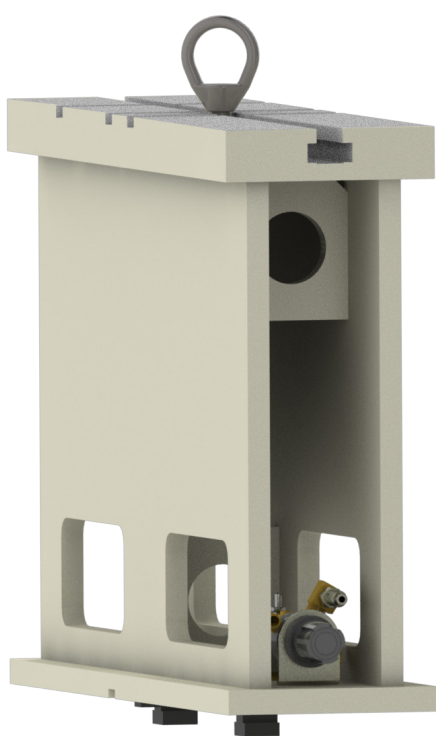
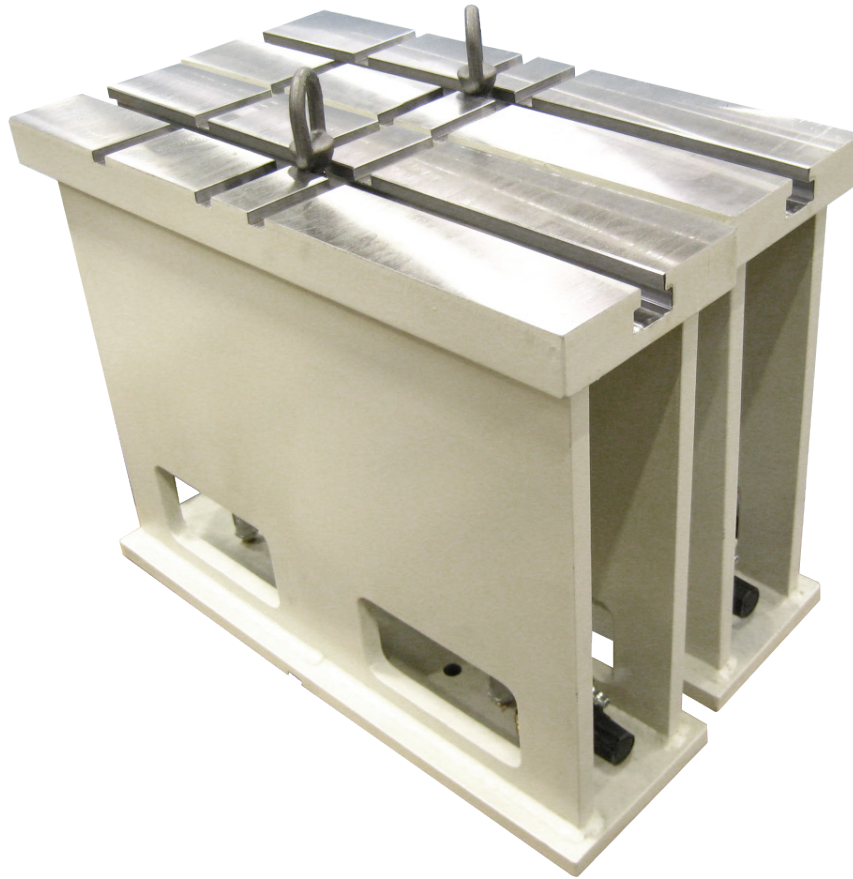


**Parallels**

**11112 Universal 8" (203mm) Heavy Duty T-Slot Parallels with Air Float**

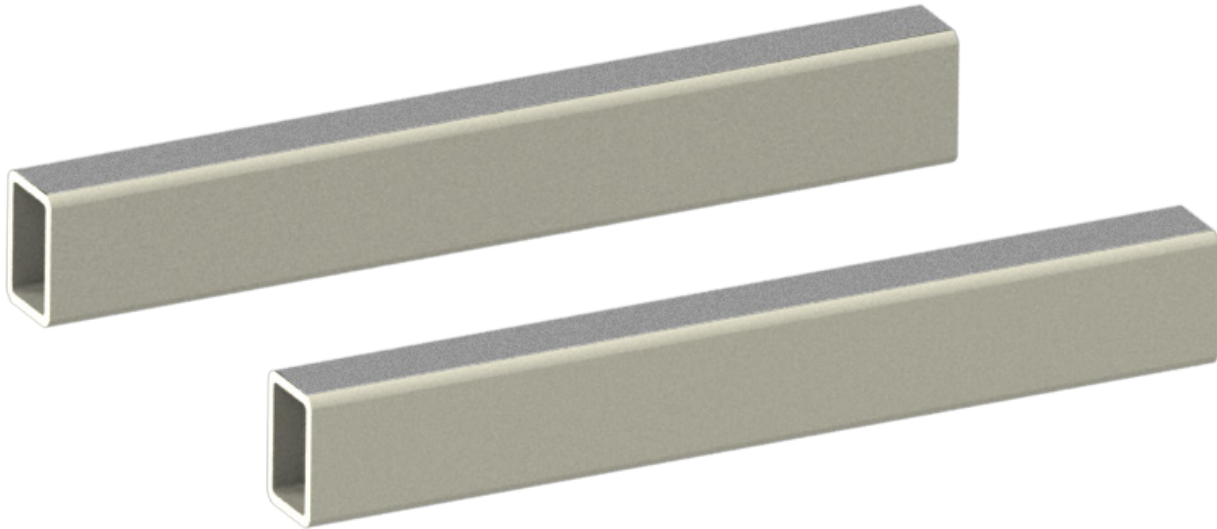


**11114 Universal 16" (405mm) Heavy Duty T-Slot Parallels with Air Float**



**11115 2" (50mm) X 3" (75mm) Parallels**

For general purpose machine work such as setting up in-line blocks on the pan or small single cylinders.



**Miscellaneous Options**

**7152A Dual Axis Level Assembly**

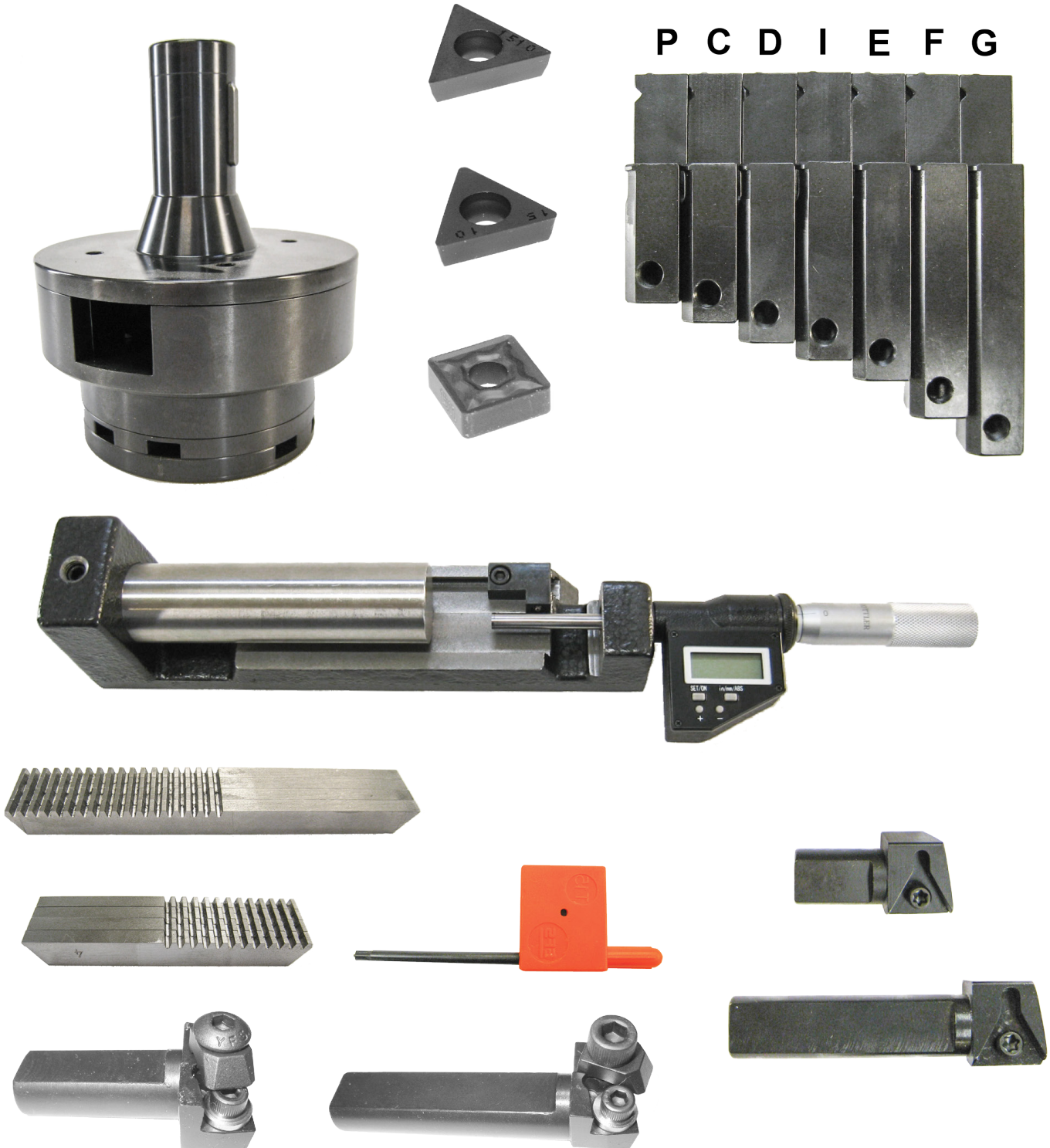


## Boring and Sleeving Cutterhead Packages

Including tooling, cutting inserts and micrometer.

### 504-35-12A Production Cutter Head Package

Heavy Duty 4.5 x 9" (115 x 230mm) Diameter



**600-8-4L Production Cutterhead Package**

3.250 - 5.0" (82.5 - 127mm) diameter



## 502-13M Production Stub Cutterhead Package

2.19 - 4.1" (55.6 - 104mm) Diameter X 6.375" (162mm) Length

